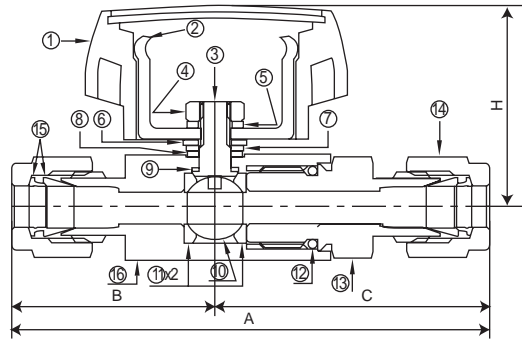


**BVJ MIDDLE AND LOW PRESSURE BALL VALVE**



No.	Name	Material
1	Handle	Nylon
2	Bracket	SS304
3	Mandrel	SS316
4	Nut	304
5	Washer	304
6	Sealing	DELTRIN
7	Sealing	DELTRIN
8	Sealing	PTFE
9	Sealing	PTFE
10	Ball Core	316
11	Side Packing	PTFE
12	Ring	Viton
13	Body	SS316
14	Nut	SS316
15	Ferrule	SS316
16	Seat	SS316

Model No.	Size	Dimensions					
		A	B	C	D	H	
BVJ-6OD	6mm	73.5	32	41.5	17	30.5	
BVJ-02OD	1/4"	73.5	32				
BVJ-8OD	8mm	76.5	33				
BVJ-03OD	3/8"	78	34	50	19	31.5	
BVJ-10OD	10mm	78	34				
BVJ-12OD	12mm	91	42	41.5	27	42.5	
BVJ-04OD	1/2"	91	42				
BVJ-02F	1/4"	60	26	50	17	30.5	
BVJ-03F	3/8"	64	28				
BVJ-04F	1/2"	76	33	41.5	22	33	
BVJ-02F-02M	1/4"	60	26				
BVJ-03F-03M	3/8"	64	28	50	27	42.5	
BVJ-04F-04M	1/2"	86	41				
BVJ-02F-6OD	1/4"	6mm	66	41.5	17	30.5	
BVJ-02F-02OD	1/4"	1/4"	66				26
BVJ-02F-8OD	1/4"	8mm	67		26		
BVJ-03F-10OD	3/8"	10mm	71	28	22	33	
BVJ-03F-03OD	3/8"	3/8"	71	28			
BVJ-04F-12OD	1/2"	12mm	78	41	50	27	42.5
BVJ-04F-04OD	1/2"	1/2"	78	41			
BVJ-06OD	3/4"		96	45	51	38	47
BVJ-08OD	1"		100	47	53		

All dimensions are in millimeters unless otherwise specified, only for reference subject to change.

**ORDERING INFORMATION**

BVJ	02	F	02	OD
Group	Size	End Connection Type	Size	End Connection Type
BVJ=Middle And Low Pressure Ball Valve	02=1/4" 6=6mm 03=3/8" 8=8mm 04=1/2" 10=10mm 06=3/4" 12=12mm 08=1"	OD=Tube End Type F=(Inlet) Female M=(Inlet) Male	02=1/4" 6=6mm 03=3/8" 8=8mm 04=1/2" 10=10mm 06=3/4" 12=12mm 08=1"	OD=Tube End Connection F=(Outlet) Female M=(Outlet) Male