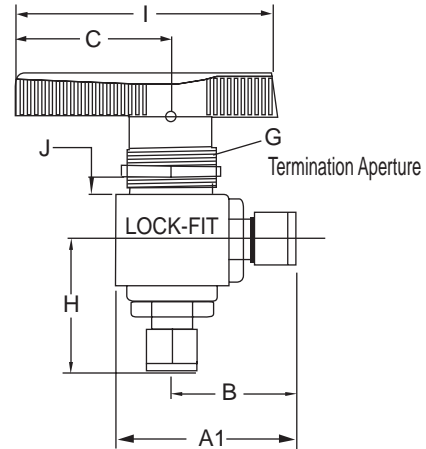


BVL ANGLE TYPE BALL VALVE

MODEL AND DIMENSION



Model No.	Termination Aperture	Dimensions										
		A	A1	B	C	D	E	F	G	H	I	J
BVL-3OD	3mm											
BVL-01OD	1/8"	62	41	31						31		
BVL-4OD	4mm											
BVL-6OD	6mm											
BVL-02OD	1/4"	65	42	32.5	32	10	10	37	22	32.5	51	
BVL-8OD	8mm	68.5	44	34.5						34.5		
BVL-03OD	3/8"	70.5										
BVL-10OD	10mm	78.5	52	39						39	66.5	
BVL-12OD	12mm				41	15	46	28	29	42		
BVL-04OD	1/2"	84	54	42								
BVL-01M/F	1/8"	47	33	23.5	32	10	37	22	14		51	
BVL-02M/F	1/4"		37	27								
BVL-03M/F	3/8"	54	37	27								
BVL-04M/F	1/2"	70	48	35	41	15	46	28	19		66.5	

All dimensions are in millimeters unless otherwise specified, only for reference subject to change.

ORDERING INFORMATION

