

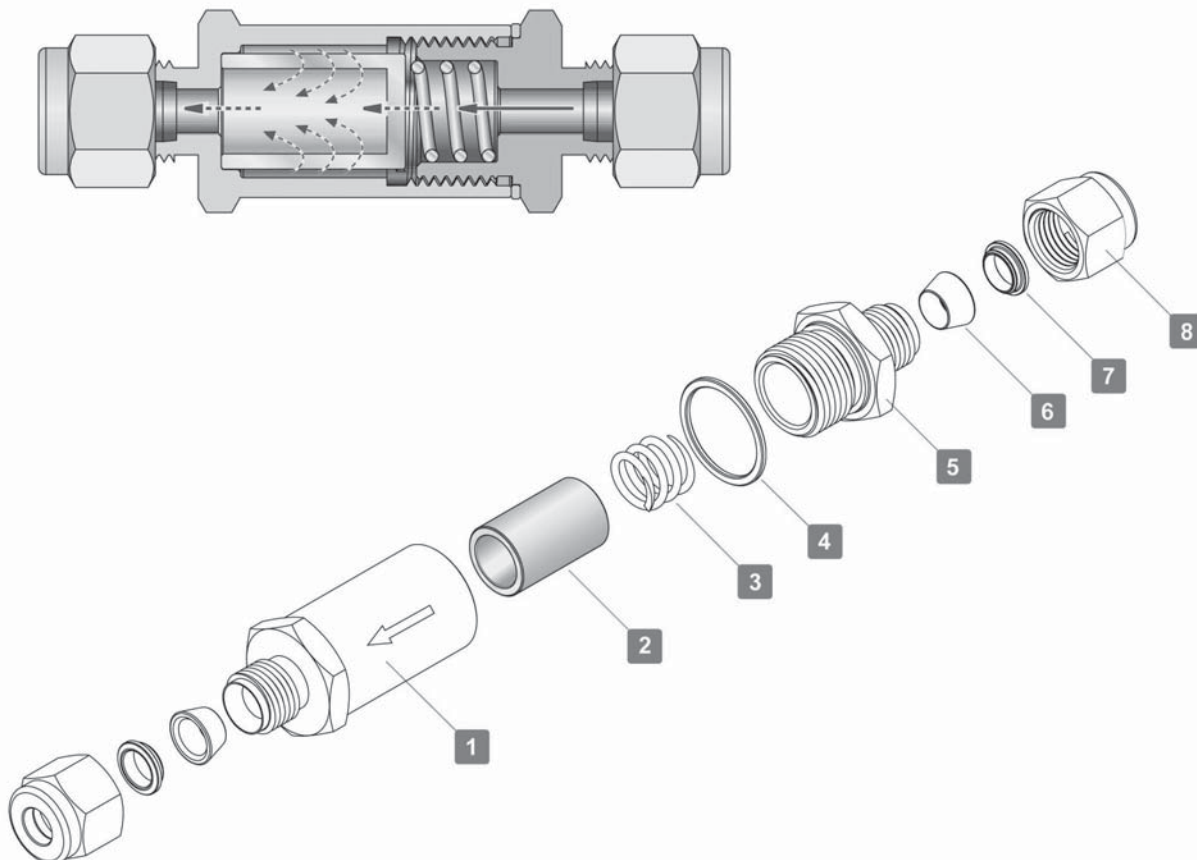
FL FILTERS

FEATURES

- Bar Stock 316St.St. or Brass Construction
- Moderate Pressure Characteristics
(3000 psi in 316St.St. and 1000 psi in Brass)
- Interchangeable Parts
- Replaceable Filter elements available
in Filtration levels: 0.5, 2, 7.0, 15, 60 and 90 micron
- Other Filter elements available upon request.

IN-LINES FILTERS; MATERIALS

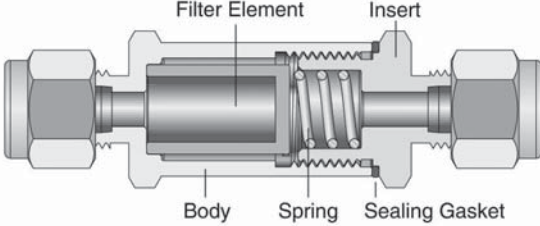
No.	Part	Material	
		316 St.St.	Brass
1	Body	St.St.ASTM A-276	Brass ASTM B-16
2	Filteration Element	316St.St.	
3	Spring	302St.St.	
4	Gasket Ring	316St.St.(Silver Plated)	Aluminum / B 209
5	Insert	St.St.ASTM A-276	Brass ASTM B-16
6	Front Ferulle	St.St.ASTM A-276	Brass ASTM B-16
7	Back Ferulle	St.St.ASTM A-276	Brass ASTM B-16
8	Nut	St.St.ASTM A-276	Brass ASTM B-16



DISASSEMBLY AND REASSEMBLY

FL IN-LINE FILTER

Customer's Instructions for Disassembly and Reassembly



Disassembly
Use a suitable wrench to loosen the body from the insert. Then remove the element, spring and sealing gasket.

Reassembly

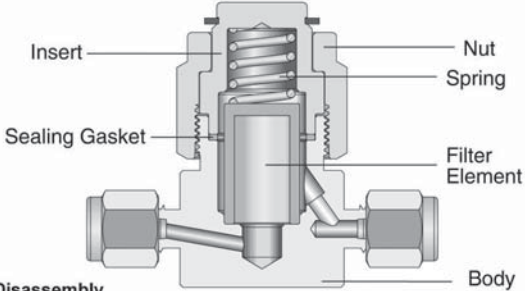
- Prior to reassembly, clean the filter house and make sure that all other components are clean and free of contaminants.
- Place the element in the filter body so that the open end of the element is parallel to the element seat diameter.
- Lubricate the sealing gasket gently. The recommended oil: Fluorolube grade T-80. Put the sealing gasket in its place.
- Mount the sealing gasket on the insert.
- Place the spring inside the insert.
- Close the nut manually. Make sure that the sealing gasket is correctly placed.
- Use a moment wrench to affix the insert more tightly onto the body, according to Table 2 below.
- Connect the filter to the pressure line and check the filter for correct operation. Use liquid leak detectors to ensure there is no leakage.

Table 2
Nut Tightening Moment **lb-in (N-m)**

	Standard Assembly		With no lubrication on the sealing gasket (used for special applications)
	SS	Brass	
FL -1/8 FL -3mm	150 (17)	135 (15)	-
FL -1/4 FL - 6mm	380 (43)	345 (39)	530 (60)
FL -3/8 FL -8mm FL -10mm FL -12mm FL -1/2	530 (60)	470 (53)	830 (94)

FLT FILTER - TYPE

Customer's Instructions for Disassembly and Reassembly



Disassembly
Use a suitable wrench to loosen the body from the insert. Then remove the element, spring and sealing gasket.

Reassembly

- Prior to reassembly, clean the filter house and make sure that all other components are clean and free of contaminants.
- Place the element in the filter body so that the open end of the element is parallel to the element seat diameter.
- Lubricate the sealing gasket gently. The recommended oil: Fluorolube grade T-80. Put the sealing gasket in its place.
- Place the spring inside the insert.
- Close the nut manually.
- Use a moment wrench to tighten the nut, according to Table 1 below.
- Connect the filter to the pressure line and check the filter for correct operation. Use liquid leak detectors to ensure there is no leakage.

Table 1
Nut Tightening Moment **lb-in (N-m)**

	Standard Assembly		Standard Assembly With no lubrication on the sealing gasket (used for special applications)	
	SS	Brass	SS	Brass
FLT -1/8 FLT-3mm FLT -1/4 FLT - 6mm	530 (60)	470 (53)	575 (65)	470 (53)
FLT -3/8 FLT -8mm FLT -10mm FLT -12mm FLT -1/2	630 (71)	470 (53)	680 (77)	470 (53)

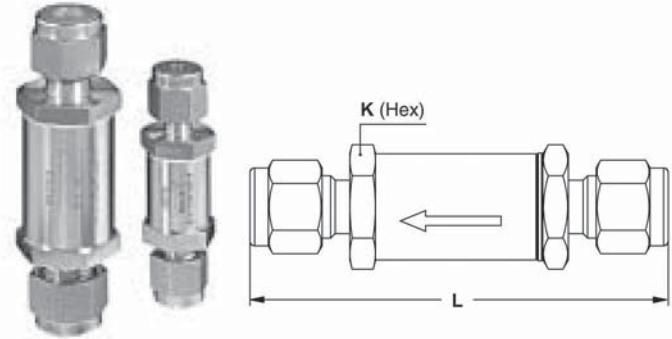
Warning! For your safety.

Warning! For Your Safety The system designer and user have the sole responsibility to select products suitable for their special application requirements to ensure the proper installation, operation and maintenance of the product. Application details, material compatibility and product ratings should all be considered in the individual selection. Improper selection or use of products can cause property damage or personal injury.

ORDERING INFORMATION

FLT	01	S
Group	Thread Size	Material
FLT=3 Way Port Filter FL=In-line Filter	01=1/8" 3=3mm 02=1/4" 6=6mm 03=3/8" 8=8mm 04=1/2" 10=10mm 12=12mm	S=Stainless Steel B=Brass

MODEL AND DIMENSION



IN-LINE FILTER; DIMENSIONS (BASIC ORDERING NUMBER: FL							
Orifice		Connection Size		L		K (hex)	
mm	in	inlet	outlet	mm	in	mm	in
2.39	0.094	1/8" LOCK-FIT	1/8" LOCK-FIT	57.5	2.26	14.4	9/16
4.75	0.187	1/4" LOCK-FIT	1/4" LOCK-FIT	70.0	2.76	19.05	3/4
7.14	0.281	3/8" LOCK-FIT	3/8" LOCK-FIT	81.4	3.20	25.4	1
10.30	0.406	1/2" LOCK-FIT	1/2" LOCK-FIT	88.5	3.48	25.4	1
2.39	0.094	3MM LOCK-FIT	3MM LOCK-FIT	57.5	2.26	14.4	9/16
4.75	0.187	6MM LOCK-FIT	6MM LOCK-FIT	74.9	2.95	19.05	3/4
2.39	0.094	1/8" Female NPT	1/8" Female NPT	55.0	2.17	14.4	9/16
4.75	0.187	1/4" Female NPT	1/4" Female NPT	73.0	2.87	19.05	3/4
4.75	0.187	1/4" Male NPT	1/4" Male NPT	68.2	2.69	19.05	3/4
4.75	0.187	1/4" Male Face Seal	1/4" Male Face Seal	71.5	2.81	19.05	3/4