

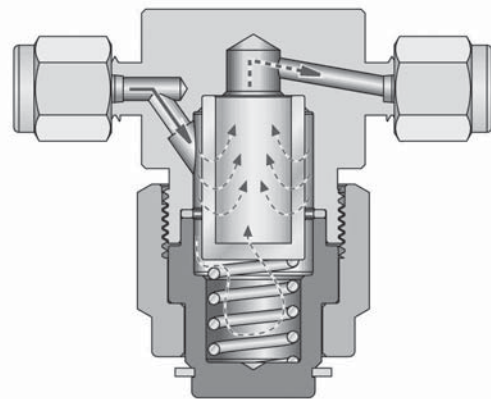
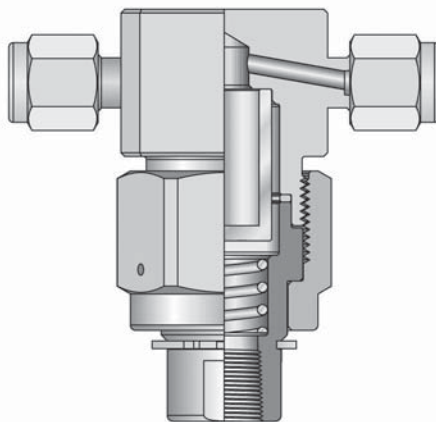
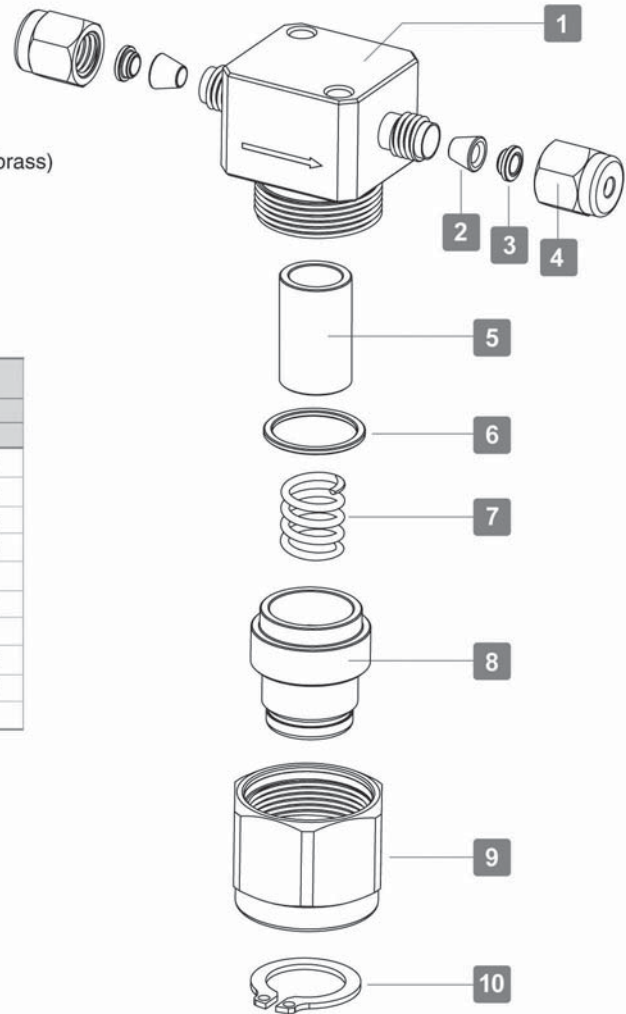
FLT 3 WAY PORT FILTERS

FEATURES

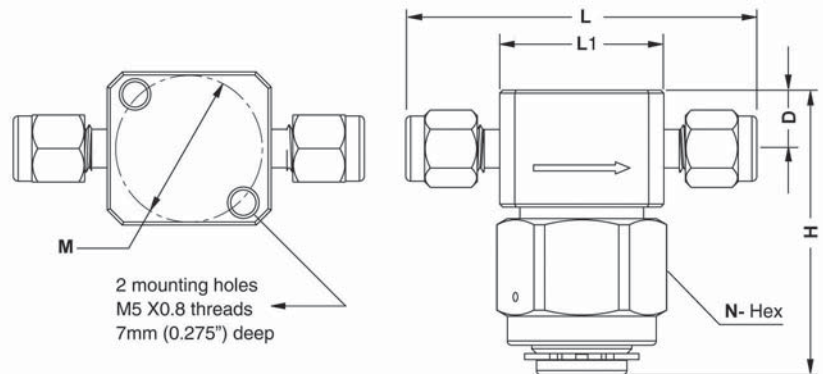
- Bar Stock 316 St.St. or Brass Construction
- On-line Maintenance
- High-Pressure Characteristics (6000 psi in 316St.St. and 2000 psi in brass)
- Interchangeable Parts
- Replaceable Filter Elements Available
in Filtration levels: 0.5, 2, 7.0, 15, 60 and 90 micron.
- Other Filter elements available upon request.

T-TYPE FILTERS, MATERIALS

No.	Part	Material	
		316 St.St.	Brass
1	Body	St.St.ASTM A-276	Brass ASTM B-16
2	Front Ferulle	St.St.ASTM A-276	Brass ASTM B-16
3	Back Ferulle	St.St.ASTM A-276	Brass ASTM B-16
4	Nut	St.St.ASTM A-276	Brass ASTM B-16
5	Filtration Element	316 St.St. (Sintered)	
6	Gasket Ring	316St.St. (Silver Plated)	Aluminum / B 209
7	Spring	316 St.St. 302	
8	Insert	St.St.ASTM A-276	Brass ASTM B-16
9	Record Nut	St.St.ASTM A-276	Brass ASTM B-16
10	Locking Ring	St.St.ASTM A-276	



MODEL AND DIMENSION



BASIC ORDERING NUMBER; FLT

Orifice		Connection Size		L		L1		M		D		H		N	
mm	in	inlet	outlet	mm	in	mm	in	mm	in	mm	in	mm	in	mm	in
2.39	0.094	1/8" LOCK-FIT	1/8" LOCK-FIT	57.6	2.27	27.1	1.07	25.5	1.00	9.8	0.39	47.4	1.87	25.5	1.0
4.41	0.174	1/4" LOCK-FIT	1/4" LOCK-FIT	62.8	2.47	26.8	1.06	25.5	1.00	9.8	0.39	47.4	1.87	25.5	1.0
5.41	0.213	3/8" LOCK-FIT	3/8" LOCK-FIT	72.2	2.84	33.6	1.32	28.8	1.13	11.6	0.46	56.0	2.20	28.6	11/8
6.35	0.250	1/2" LOCK-FIT	1/2" LOCK-FIT	77.3	3.04	33.4	1.31	28.8	1.13	11.6	0.46	56.0	2.20	28.6	1.0
4.41	0.174	6MM LOCK-FIT	6MM LOCK-FIT	62.4	2.46	26.8	1.06	25.5	1.00	9.8	0.39	47.6	1.87	25.5	11/8
5.41	0.213	8MM LOCK-FIT	8MM LOCK-FIT	72.2	2.84	35.2	1.39	28.8	1.13	11.6	0.46	56.0	2.20	28.6	11/8
6.35	0.250	10MM LOCK-FIT	10MM LOCK-FIT	72.5	2.85	33.6	1.32	28.8	1.13	11.6	0.46	56.0	2.20	28.6	11/8
6.35	0.250	12MM LOCK-FIT	12MM LOCK-FIT	77.3	3.04	33.4	1.31	28.8	1.13	11.6	0.46	56.0	2.20	28.6	1.0
4.41	0.174	1/8" Female NPT	1/8" Female NPT	50.7	2.00	25.5	1.00	25.5	1.00	9.8	0.39	47.6	1.87	25.5	1.0
4.41	0.174	1/4" Female NPT	1/4" Female NPT	54.2	2.13	25.5	1.00	25.5	1.00	9.8	0.39	47.6	1.87	25.5	1.0
4.41	0.174	1/4" Male NPT	1/4" Male NPT	54.2	2.13	25.5	1.00	25.5	1.00	9.8	0.39	47.6	1.87	25.5	11/8
6.35	0.250	3/8" Male NPT	3/8" Male NPT	60.4	2.38	31.7	1.25	28.8	1.13	11.6	0.46	56.0	2.20	28.6	11/8
6.35	0.250	1/2" Male NPT	1/2" Male NPT	70.0	2.76	31.7	1.25	28.8	1.13	11.6	0.46	56.0	2.20	28.6	11/8

Dimensions are for reference only, and are subject to change.