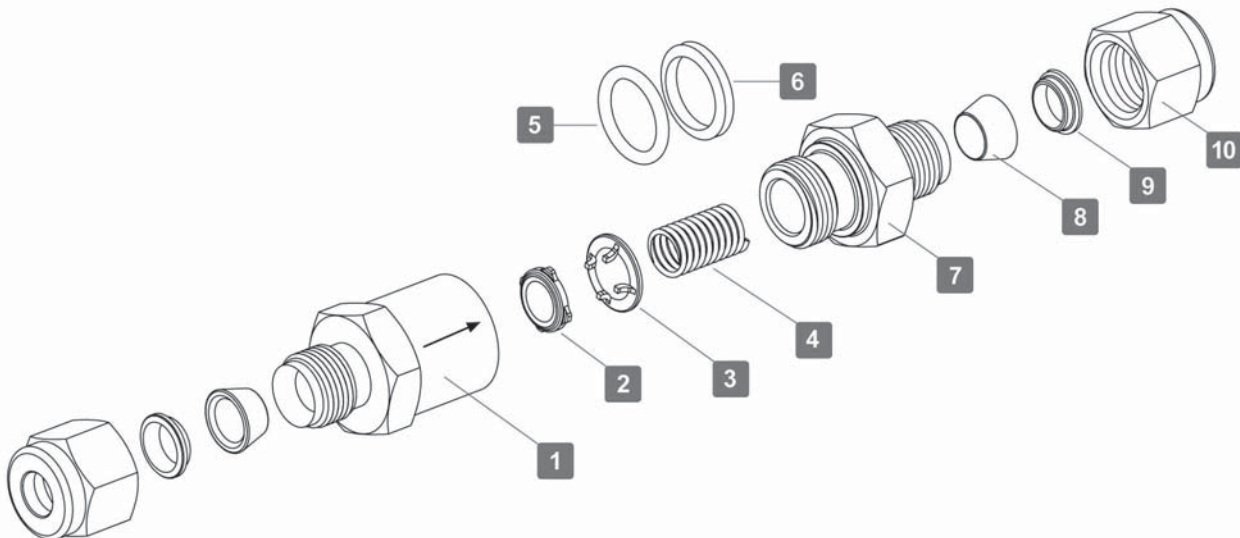
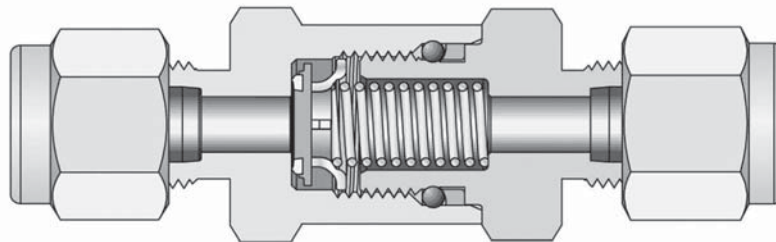


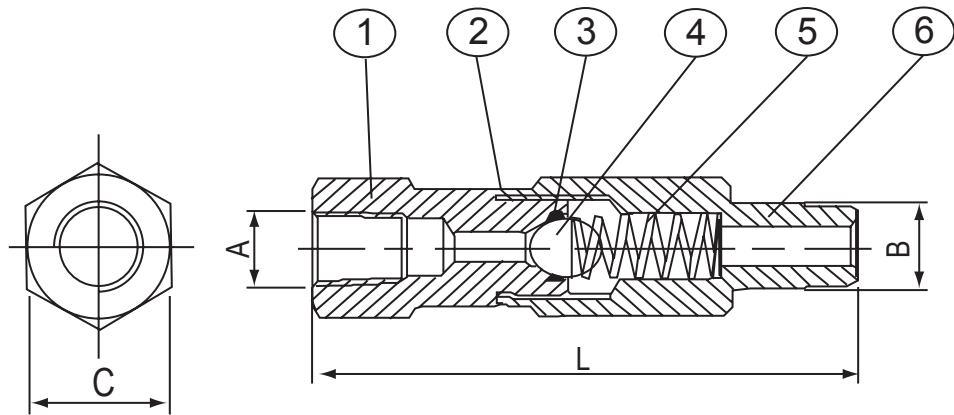
LCV IN-LINE CHECK VALVE

FEATURES

- 316 St. St. End Brass Construction
- Moderate Pressure Characteristics (up to 3000psi)
- Compact Design
- Interchangeable Parts
- Variable fixed cracking-pressure springs

LCV-HP - MATERIALS		
Item No.	Components	Valve body material
1	Body	St.St. ASTM A-276
2	Poppet	Viton Bonded on 316 St.St.
3	Pusher	St.St. ASTM A-276
4	Spring	St.St. 304
5	O-ring	Viton®
6	Back Up	Viton®
7	End	St.St. ASTM A-276
8	Front Ferrule	St.St. ASTM A-276
9	Back Ferrule	St.St. ASTM A-276
10	Nut	St.St. ASTM A-276





6000PSI PRESSURE RATING

SPECIFICATINONS

No.	PART	SS316 VALVE	BRASS
1	VALVE BODY(INLET)	SS316	BRASS
2	PACKING	SS316	BRASS
3	O-RING	VITON/BUNA	VITON/BUNA
4	BALL	SS304	SS304
5	SPRING	SS304	SS304
6	VALVE BODY(OUTLET)	SS316	BRASS

DIMENSIONS(INCH)

Name	SIZE	A SIDE PT/NPT/G	B SIDE PT/NPT/G	C(mm)	D(mm)
LCV-01	1/8"	1/8"	1/8"	19	74
LCV-02	1/4"	1/4"	1/4"	19	74
LCV-03	3/8"	3/8"	3/8"	22	74
LCV-04	1/2"	1/2"	1/2"	27	75.5
LCV-06	3/4"	3/4"	3/4"	35	83.5
LCV-08	1"	1"	1"	41	87.5

Could order Double-Female and Tube End or other method as special required.

ORDERING INFORMATION

