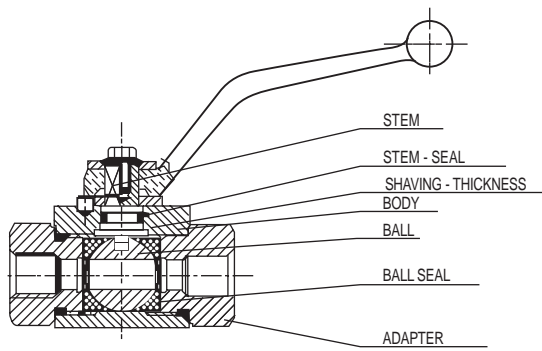
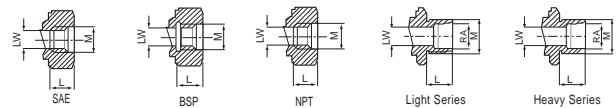
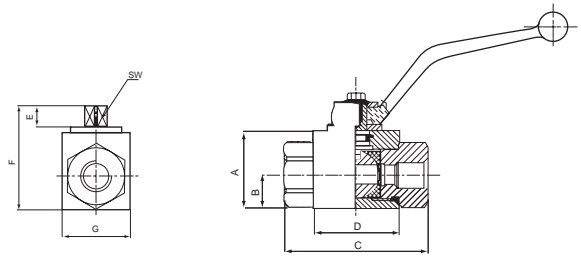
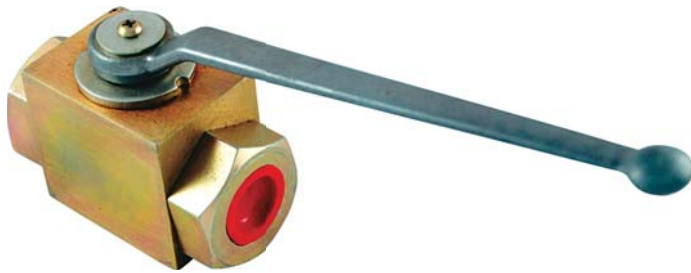
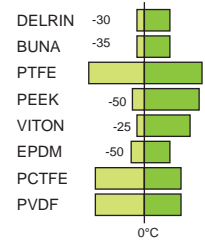


LFBV HIGH PRESSURE FULL PORT BALL VALVE



MAXIMUM AND MINIMUM
ADMISSIBLE WORKING
TEMPERATURES FOR
SEAL MATERIAL

TEMPERATURE
MASSIME E MINIME AMMISSIBILI
DELLE GUARNIZIONI



MATERIAL CLASSIFICATION				
N.	DIN	W.Nr	AIISI	ASTM
1	9 SMnPb 36	1.0737	1214	
2	St 52-3	1.057		A105
3	X10 CrNi5 18 9	1.4305	303	
4	X2 CrNiMo 17 13 2	1.4404	316 L	
5	X20 Cr 13	1.4021	420	
6	X5 CrNi 18 10	1.4301	304	

SEAL CLASSIFICATION	
A	DELIRIN
B	BUNA
C	PTFE
D	PEEK
E	VITON
F	EPDM
G	PVDF
K	PTFE with a metallic insert
H	PCTFE
I	PTFE-C-657

Female/GAS DIN/ISO 228 BSP

TYPE	PN MAN	DN	A	B	C	D	E	F	G	H	L	M	SW	LW	Kg
LFBV-01G	500	4	35	14	71	42	11	49	30	110	11	G 1/8	9	4	0.5
LFBV-02G	500	6	35	14	71	42	11	49	30	110	16	G 1/4	9	6	0.5
LFBV-03G	500	10	40	17	73	44	11	54	35	110	16	G 3/8	9	10	0.65
LFBV-04G	500	13	43	18	83	48	11	57	37	110	17	G 1/2	9	10	0.75
LFBV-06G	400	20	55	23	95	62	13	73	45	180	21	G 3/4	14	20	1.4
LFBV-08G	350	25	65	29	113	66	13	83	55	180	24	G 1"	14	25	2.15
LFBV-10G	350	25	65	29	121	66	13	83	55	180	24	G 1-1/4"	14	25	2.25
LFBV-12G	350	25	65	29	124	66	13	83	55	180	24	G 1-1/2"	14	25	2.35

All dimensions are in millimeters unless otherwise specified, only for reference subject to change.

Female NPT/PT ANSI B 1.20.1

TYPE	PN (SAR)	DN	A	B	C	D	E	F	G	H	L	M	SW	LW	kg
LFBV-04N	7250	4	35	14	71	42	11	49	30	110	11	N1/8	9	4	0.5
LFBV-02N	7250	6	35	14	71	42	11	49	30	110	16	N1/4	9	6	0.5
LFBV-03N	7250	10	40	17	73	44	11	54	35	110	16	N3/8	9	10	0.65
LFBV-04N	7250	13	43	18	83	48	11	57	37	110	17	N1/2	9	13	0.75
LFBV-06N	5800	20	55	23	95	62	13	73	45	180	21	N3/4	14	20	1.4
LFBV-08N	5075	25	65	29	113	66	13	83	55	180	24	N1"	14	25	2.15
LFBV-10N	5075	25	65	29	121	66	13	83	55	180	24	N1-1/4"	14	25	2.25
LFBV-12N	5075	25	65	29	124	66	13	83	55	180	24	N1-1/2"	14	25	2.35

DIN 2353 Light Series

TYPE	PN (SAR)	DN	A	B	C	D	E	F	G	H	L	M	SW	RA	kg
LFBV-6L	500	6	35	14	76	42	11	49	30	110	10	12x1.5	9	6	0.5
LFBV-8L	500	6	35	14	76	42	11	49	30	110	10	14x1.5	9	8	0.5
LFBV-10L	500	6	35	14	76	42	11	49	30	110	11	16x1.5	9	10	0.5
LFBV-10L-1	500	10	40	17	76	44	11	54	35	110	11	16x1.5	9	10	0.65
LFBV-12L	500	10	40	17	77	44	11	54	35	110	11	18x1.5	9	12	0.65
LFBV-15L	500	13	43	18	86	48	11	57	37	110	12	22x1.5	9	15	0.75
LFBV-18L	500	13	43	18	86	48	11	57	37	110	12	26x1.5	9	18	0.75
LFBV-22L	400	20	55	23	108	62	13	73	45	180	14	30x2	14	22	1.4
LFBV-28L	350	25	65	29	115	66	13	83	55	180	14	36x2	14	28	2.15
LFBV-35L	350	25	65	29	115	66	13	83	55	180	16	45x2	14	35	2.15
LFBV-42L	350	25	65	29	115	66	13	83	55	180	16	52x2	14	42	2.15

DIN 2353 Heavy Series

TYPE	PN (SAR)	DN	A	B	C	D	E	F	G	H	L	M	SW	RA	kg
LFBV-8H	500	4	35	14	76	42	11	49	30	110	12	16x1.5	9	8	0.5
LFBV-10H	500	6	35	14	76	42	11	49	30	110	12	18x1.5	9	10	0.5
LFBV-12H	500	8	35	14	76	42	11	49	30	110	12	20x1.5	9	12	0.5
LFBV-12H-1	500	10	40	17	76	44	11	54	35	110	12	20x1.5	9	12	0.65
LFBV-14H	500	10	40	17	82	44	11	54	35	110	14	22x1.5	9	14	0.65
LFBV-16H	500	13	43	18	89	48	11	57	37	110	14	24x1.5	9	16	0.75
LFBV-20H	500	13	43	18	93	48	11	57	37	110	16	30x2	9	20	0.75
LFBV-25H	400	20	55	23	111	62	13	73	45	180	18	36x2	14	25	1.4
LFBV-30H	350	25	65	29	125	66	13	83	55	180	20	42x2	14	30	2.15
LFBV-38H	350	25	65	29	132	66	13	83	55	180	22	52x2	14	38	2.15

All dimensions are in millimeters unless otherwise specified, only for reference subject to change.

ORDERING INFORMATION

LFBV	01	G	S	Option
Group	Thread Size	Type	Material	Connection Selection
LFBV= High Pressure Full Port Ball Valve	01G(N)=1/8" 6L(H)=RA6 22L(H)=RA22 02G(N)=1/4" 8L(H)=RA8 25L(H)=RA25 03G(N)=3/8" 10L(H)=RA10 28L(H)=RA28 04G(N)=1/2" 12L(H)=RA12 30L(H)=RA30 06G(N)=3/4" 14L(H)=RA14 35L(H)=RA35 08G(N)=1" 15L(H)=RA15 42L(H)=RA42 10G(N)=1-1/4" 16L(H)=RA16 12G(N)=1-1/2" 20L(H)=RA20	G=Female/GAS DIN/ISO 228 BSP N=Female NPT/PT ANSI B 1.20.1 L=DIN 2353 Light Series H=DIN 2353 Heavy Series	S=Stainless Steel C=Carbon Steel	G=G Thread PT= PT Thread NPT=NPT Thread