

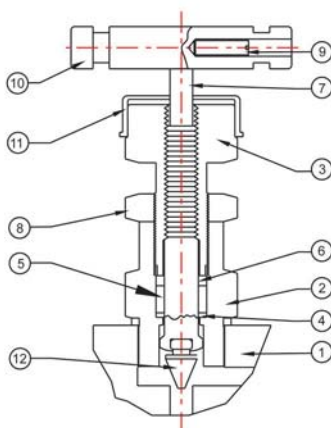
MNV MINI NEEDLE VALVE

Feature & Benefits:

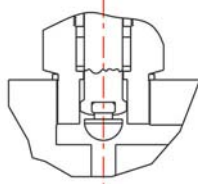
1. Bonnet lock pins prevent accidental loosening.
2. Free-swiveling ball end stem(metal seat,std.) assure bubble tight valve closure without seat galling.
The special hardened ball seat is ideal for both gas and liquid service.
3. All stem packing is located below the stem threads prevent galling, corrosion and contamination by the process media.
4. The packing is adjustable with less possibility of bonnet/body leaks.
5. Full back-seated bonnets prevent accidental stem removal and blowout.
Unique design minimizes emissions while offering easy access to the packing.
6. Max.pressure rating: SS316,6000Psi
BRASS,3000Psi
7. Using temperature: -40°C---200°C (Special require that could raise to 650°C)
8. 100% factory testing
9. Color choose of handle: Black, Blue, Red.



MATERIAL OF BONNET / STEM / SEAT



Vee Tip Stem & Metal Seat

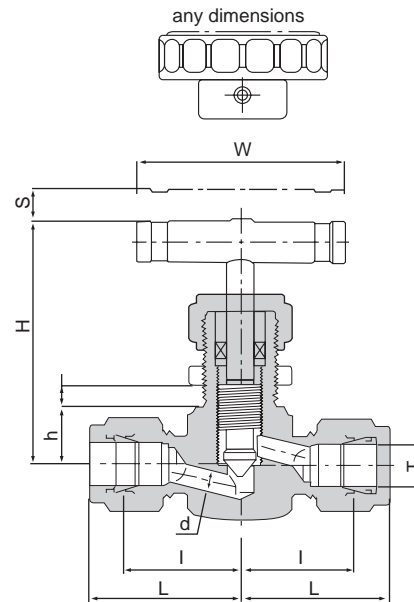


Ball Tip Stem & Metal Seat

Item	Parts Name	Material	Description
1	Body	Stainless Steel	ASTM 479-316 / 304
2	Bonnet	Stainless Steel	ASTM 479-316 / 304
3	Gland Retainer	Stainless Steel	ASTM 479-316 / 304
4	Washer	Stainless Steel	ASTM 479-316 / 304
5	Packing	PTFE	PTFE/GRAFOIL
6	Packing Washer	Stainless Steel	ASTM 479-316 / 304
7	Stem	Stainless Steel	ASTM 276-316 / 304
8	Lock Nut	Stainless Steel	ASTM 479-316 / 304
9	Grub Screw	Stainless Steel	ASTM 276-304
10	Handle	Stainless Steel	ASTM 276-304
11	Dust Cap	Plastic	
12	Non-Rotating End Tip	Stainless Steel	ASTM 479-316 / 304

MNV MINI NEEDLE VALVE - TUBE END

MODEL & EXTERNAL DIMENSION



Model No.	Tube End Type		d	l	L	h	H	S	W	Install Orifice Dimensions	Max. Closed Thickness
	Dimensions	OD									
MNV-01OD	1/8	3.17mm	1.5	23	60	13	50	4	32	14mm	4
MNV-3OD	3mm	3mm	1.5	23	60	13	50	4	32	14mm	4
MNV-4OD	4mm	4mm	1.5	23	60	13	50	4	32	14mm	4
MNV-02OD	1/4	6.35mm	4.3	24.5	63	13	50	4	32	14mm	4
MNV-6OD	6mm	6mm	4.3	24.5	63	13	50	4	32	14mm	4
MNV-8OD	8mm	8mm	4.3	25	65	13	50	4	32	14mm	6.5
MNV-03OD	3/8	9.52mm	6.3	26	67	13	50	4	32	14mm	6.5
MNV-10OD	10mm	10mm	6.3	26	67	13	50	4	32	14mm	6.5
MNV-04OD	1/2	12.7mm	6.3	26.5	73.5	16.5	58	4	45	19.2mm	6.5
MNV-12OD	12mm	12mm	6.3	26.5	73.5	16.5	58	4	45	19.2mm	6.5

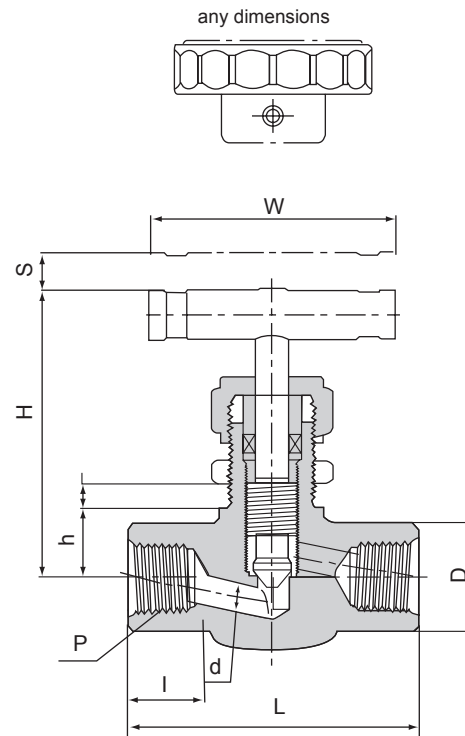
All dimensions are in millimeters unless otherwise specified, only for reference subject to change.

ORDERING INFORMATION

MNV	01			OD	L
Type	Dimensions			Connection Type	Option
MNV=	01=1/8"	3=3mm	10=10mm	OD=Tube End Connection	L=Angel Type
MINI NEEDLE VALVE	02=1/4"	4=4mm	12=12mm		
	03=3/8"	6=6mm			
	04=1/2"	8=8mm			

MNV MINI NEEDLE VALVE - THREAD

MODEL & EXTERNAL DIMENSION



● DIMENSION

Model No.	P (PT/NPT/G)		d	D	L	h	H	S	W	Install Orifice Dimensions	Max. Closed Thickness
MNV-01F/M	1/8	1/8	4.3	17	46	13	48.5	4	32	14mm	4
MNV-02F/M	1/4	1/4	4.3	17	50	13	48.5	4	32	14mm	4
MNV-03M	3/8	3/8	6.3	17	50	13	48.5	4	32	14mm	4
MNV-03F	3/8	3/8	6.3	22	55	19	53	4	45	14mm	4
MNV-04M	1/2	1/2	8.3	22	69	19	53	4	45	19.2mm	6.5
MNV-04F	1/2	1/2	8.3	27	69	24	56	4	45	19.2mm	6.5

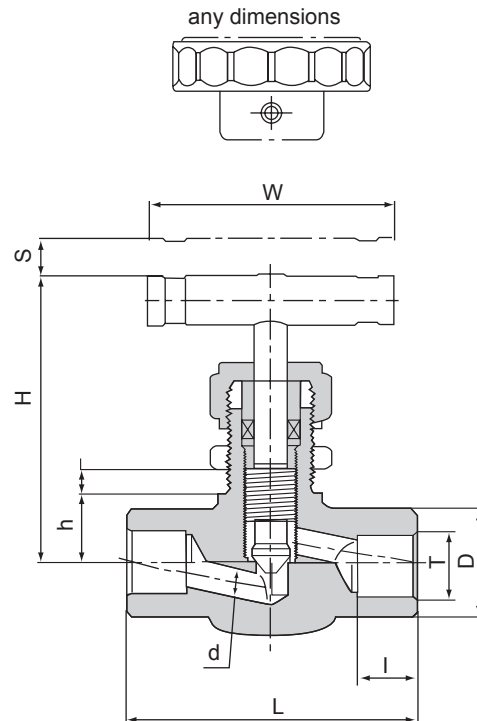
All dimensions are in millimeters unless otherwise specified, only for reference subject to change.

ORDERING INFORMATION

MNV	01	F/M	L
Type	Dimensions	Connection Type	Option
MNV= MINI NEEDLE VALVE	01=1/8" 02=1/4" 03=3/8" 04=1/2"	F=Female M=Male	L=Angel Type

MNV MINI NEEDLE VALVE - WELDEND

MODEL & EXTERNAL DIMENSION



● DIMENSION

Model No.	Weld Type		d	D	I	L	h	H	S	W	Install Orifice Dimensions	Max. Closed Thickness
	Dimension	OD										
MNV-02SW	1/4	6.35mm	4.3	17	8	48	13	50	4	32	14mm	4
MNV-6SW	6mm	6mm	4.3	17	8	48	13	50	4	32	14mm	4
MNV-8SW	8mm	8mm	4.3	17	8	48	13	50	4	32	14mm	6.5
MNV-03SW	3/8	9.52mm	6.3	17	8	52	13	50	4	32	14mm	6.5
MNV-10SW	10mm	10mm	6.3	17	8	52	13	50	4	32	14mm	6.5
MNV-04SW	1/2	12.7mm	6.3	22	10	56	16.5	58	4	45	19.2mm	6.5
MNV-12SW	12mm	12mm	6.3	22	10	56	16.5	58	4	45	19.2mm	6.5

All dimensions are in millimeters unless otherwise specified, only for reference subject to change.

ORDERING INFORMATION

