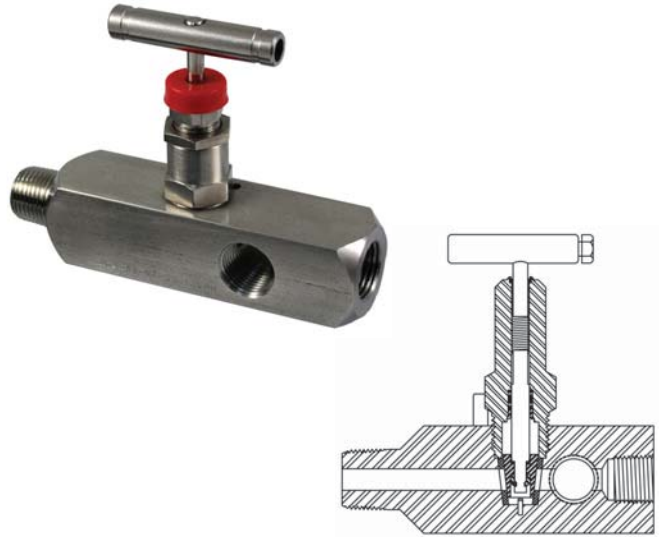


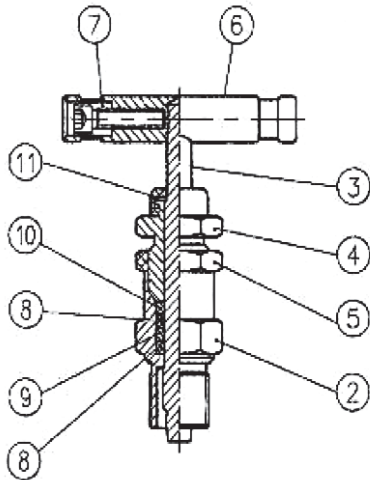
MULTI-PORT GAUGE VALVES

SPECIFICATIONS

- RATED TO 10,000 PSI (T TYPE)
- CARBON STEEL CONSTRUCTION
- STAINLESS STEEL CONSTRUCTION
- TEFLON PACKING
- WORKING TEMPERATURE -20 DEG F TO 200 DEG F
- THREADS CONFORM TO ASME B1.20.1



MATERIAL OF CONSTRUCTION



Description		Grade/ASTM Specification	
		Body Material	
1	BODY	CARBON STEEL	SS316
2	BONNET	CARBON STEEL	SS316
3	STEM	SS304	SS316
4	PACKING NUT	CARBON STEEL	SS316
5	FIXING SCREW	CARBON STEEL	SS316
6	HANDLE	CARBON STEEL	SS316
7	HANDLE FIXING SCREW	CARBON STEEL	SS316
8	PACKING	TEFLON	VITON O-RING
9	BACK UP RING	SS 304	TEFLON
10	BACK UP RING	SS 304	TEFLON
11	DUST CAP	NBR	NBR
12	BONNET LOCK PIN	SS303	SS303

DIMENSIONS

Basic Mode No.	End Connection Inlet/Outlet	A	B	C	D	E	F	G
MPC8M8F	1/2(M) x 1/2(F)	90	70	63.5	113	57	5	36
MPC12M8F	3/4(M) x 1/2(F)	90	70	63.5	113	57	5	36
MPS8M8F	1/2(M) x 1/2(F)	90	70	63.5	113	57	5	36
MPS12M8F	3/4(M) x 1/2(F)	90	70	63.5	113	57	5	36

ORDERING INFORMATION

MP	S	8	M	8	F
Type	Material	Inlet Thread Dimensions	Inlet Thread Style	Outlet Thread Dimensions	Outlet Thread Style
MP= MULTI-PORT GAUGE VALVES	S=Stainless Steel C=Carbon Steel	8=1/2" 12=3/4"	M=Male F=Female	8=1/2" 12=3/4"	M=Male F=Female