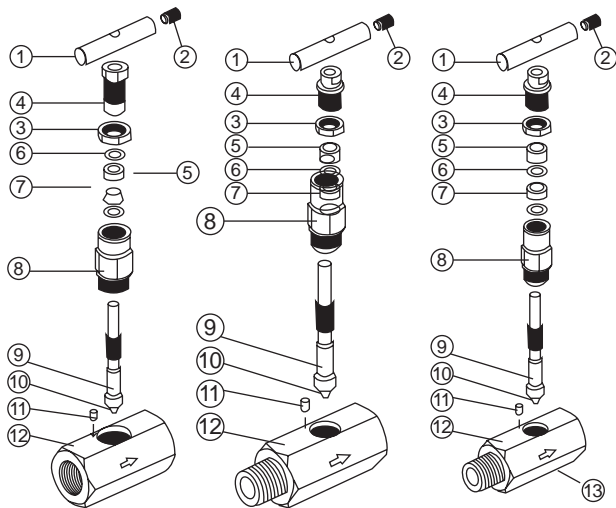
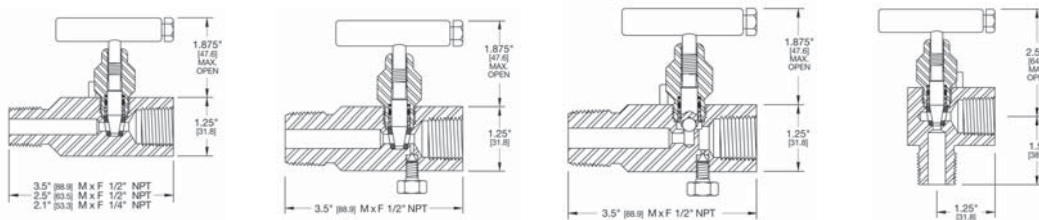


# PNV HIGH PRESSURE NEEDLE VALVE

## Material of Construction



Description	Grade/ASTM Specification	
	Body Material	
	SS316	Carbon Steel
1 Handle	SS304	A105
2 Set Screw	SS304	A105
3 Lock Nut	SS304	A105
4 Packing Bolt	SS316	A105
5 Packing Gland	SS316	A105
6 Packing Washer	SS316	SS304
7 Packing	PTFE	PTFE
8 Bonnet	SS316	A105
9 Stem	SS316	SS304
10 Vee Tip	SS316 SS630/A564	
Ball Tip		
11 Stop Pin	SS304	SS301
12 Body	SS316	A105
13 Bleed	SS316	

## MODEL & EXTERNAL DIMENSION

CARBON/STAINLESS STEEL NEEDLE VALVE

THREAD MxF FxF

NEEDLE VALVE

PRESSURE: 6000PSI~10000PSI



PNVC (M x F)



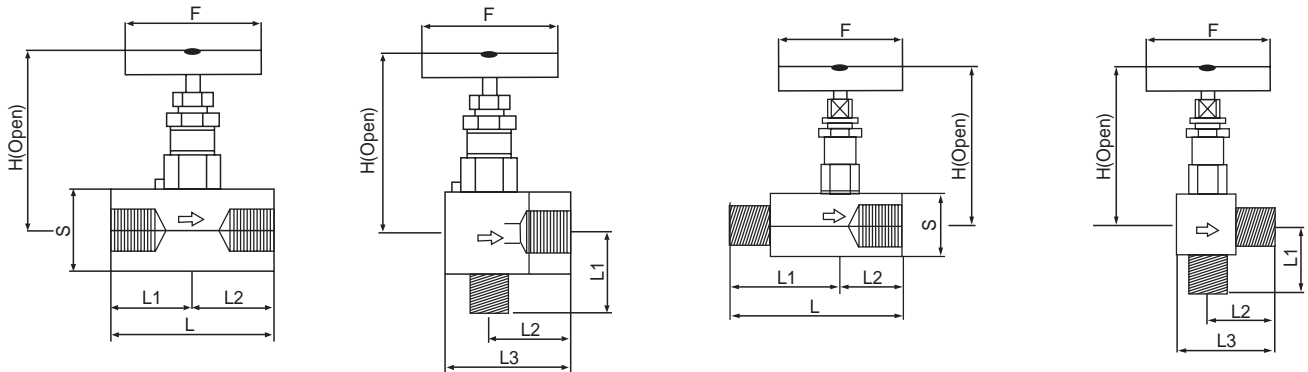
PNAC (M x F)



PNVS (F x F)



PNVS (M x F)



Model No		Pressure Rating @100F	Orifice	Cv	End Connection Inlet/Outlet	Dimensions (mm)							
SS316	A105					L	L1	L2	L3	S	F	H	
PNVS2F2FV	PNVC2F2FV	6000PSI	5	0.52	1/4(F)×1/4(F)	75	37.5	37.5		32	57	72	
PNVS2M2FV	PNVC2M2FV				1/4(M)×1/4(F)	82	47	35		32	57	72	
PNVS4F4FV	PNVC4F4FV				1/2(F)×1/2(F)	75	37.5	37.5		32	57	72	
PNVS4M4FV	PNVC4M4FV				1/2(M)×1/2(F)	82	47	35		32	57	72	
PNVS4M2FV	PNVC4M2FV				1/2(M)×1/4(F)	82	47	35		32	57	72	
PNVS6F6FV	PNVC6F6FV				3/4(F)×3/4(F)	75	37.5	37.5		32	57	72	
PNVS6M6FV	PNVC6M6FV		3/4(M)×3/4(F)	82	47	35		32	57	72			
PNVS8F8FV	PNVC8F8FV		1(F)×1(F)	95	47.5	47.5		41	57	80			
PNVS8M8FV	PNVC8M8FV		1(M)×1(F)	95	55	40		41	57	80			
PNVS2F2FT	PNVC2F2FT		10000PSI	5	0.52	1/4(F)×1/4(F)	75	37.5	37.5		32	57	72
PNVS2M2FT	PNVC2M2FT					1/4(M)×1/4(F)	82	47	35		32	57	72
PNVS4F4FT	PNVC4F4FT					1/2(F)×1/2(F)	75	37.5	37.5		32	57	72
PNVS4M4FT	PNVC4M4FT					1/2(M)×1/2(F)	82	47	35		32	57	72
PNVS4M2FT	PNVC4M2FT					1/2(M)×1/4(F)	82	47	35		32	57	72
PNVS6F6FT	PNVC6F6FT	3/4(F)×3/4(F)				75	37.5	37.5		32	57	72	
PNVS6M6FT	PNVC6M6FT	3/4(M)×3/4(F)		82	47	35		32	57	72			
PNVS8F8FT	PNVC8F8FT	1(F)×1(F)		95	47.5	47.5		41	57	80			
PNVS8M8FT	PNVC8M8FT	1(M)×1(F)		95	55	40		41	57	80			
PNVS4M4FVB	PNVC4M4FVB	6000PSI		5	0.52	1/2(M)×1/2(F)	82	47	35		32	57	72
PNVS4F4FVB	PNVC4F4FVB					1/2(F)×1/2(F)	75	37.5	37.5		32	57	72
PNVS2M2FVB	PNVC2M2FVB					1/4(M)×1/4(F)	82	47	35		32	57	72
PNAS2M2FV	PNAC2M2FV					1/4(M)×1/4(F)		38	30	46		57	76
PNAS2M2FT	PNAC2M2FT					1/4(M)×1/4(F)		38	30	46		57	76
PNAS4M4FV	PNAC4M4FV		1/2(M)×1/2(F)				38	30	46		57	76	
PNAS4M4FT	PNAC4M4FT		10000PSI		38	30	46		57	76			
PNVS3F3FV	PNVC3F3FV		6000PSI		75	37.5	37.5		32	57	72		
PNVS3M3FV	PNVC3M3FV		6000PSI		82	47	35		32	57	72		
PNVS3M3FT	PNVC3M3FT		10000PSI		82	47	35		32	57	72		
PNAS3M3FT	PNAC3M3FT		10000PSI		38	30	46		57	76			

All dimensions are in millimeters unless otherwise specified, only for reference subject to change.

ORDERING INFORMATION

PNV	S	8	M	8	F	V	B
Type	Material	Inlet Thread Dimension	Inlet Thread Type	Outlet Thread Dimension	Outlet Thread Type	Pressure Rating	Bleed
PNV=Straight Type PNA=Angle Type	S=Stainless Steel C=Carbon Steel	2=1/4" 3=3/8" 4=1/2" 6=3/4" 8=1"	M=Male F=Female	2=1/4" 3=3/8" 4=1/2" 6=3/4" 8=1"	M=Male F=Female	V=6000Psi T=10000Psi	B=Bleed